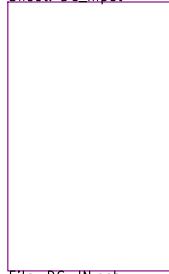
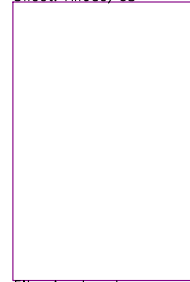


Sheet: DC_Input



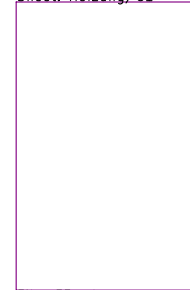
File: DC-IN.sch

Sheet: Anode/G3



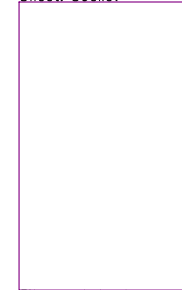
File: Anode.sch

Sheet: Heizung/G1



File: FF.sch

Sheet: Socket



File: socket.sch

Sheet: /
File: roerentest.sch

Title:

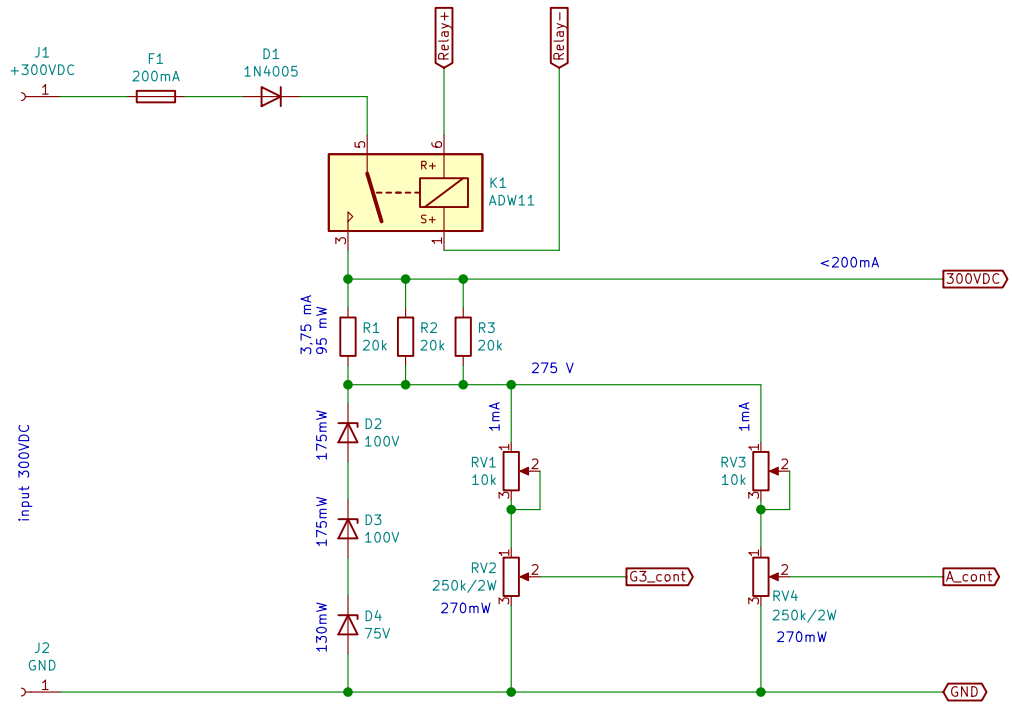
Size: A4

Date:

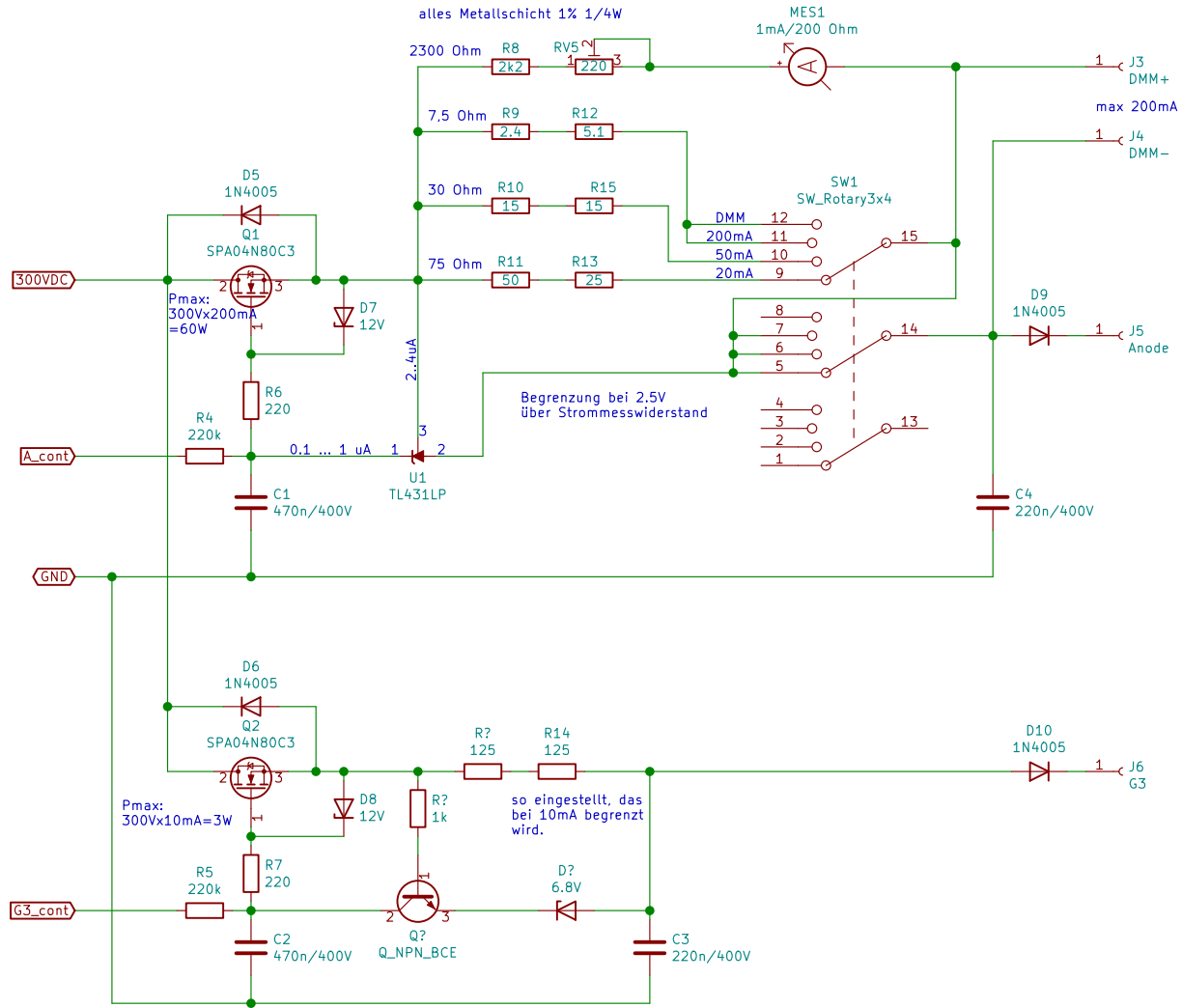
KiCad E.D.A. kicad 5.1.8+dfsg1-1bpo10+1

Rev:

Id: 1/5



Sheet: /DC_Input/		
File: DC-IN.sch		
Title:		
Size: A4	Date:	Rev:
KiCad E.D.A. kicad 5.1.8+dfsg1-1bpo10+1		Id: 2/5

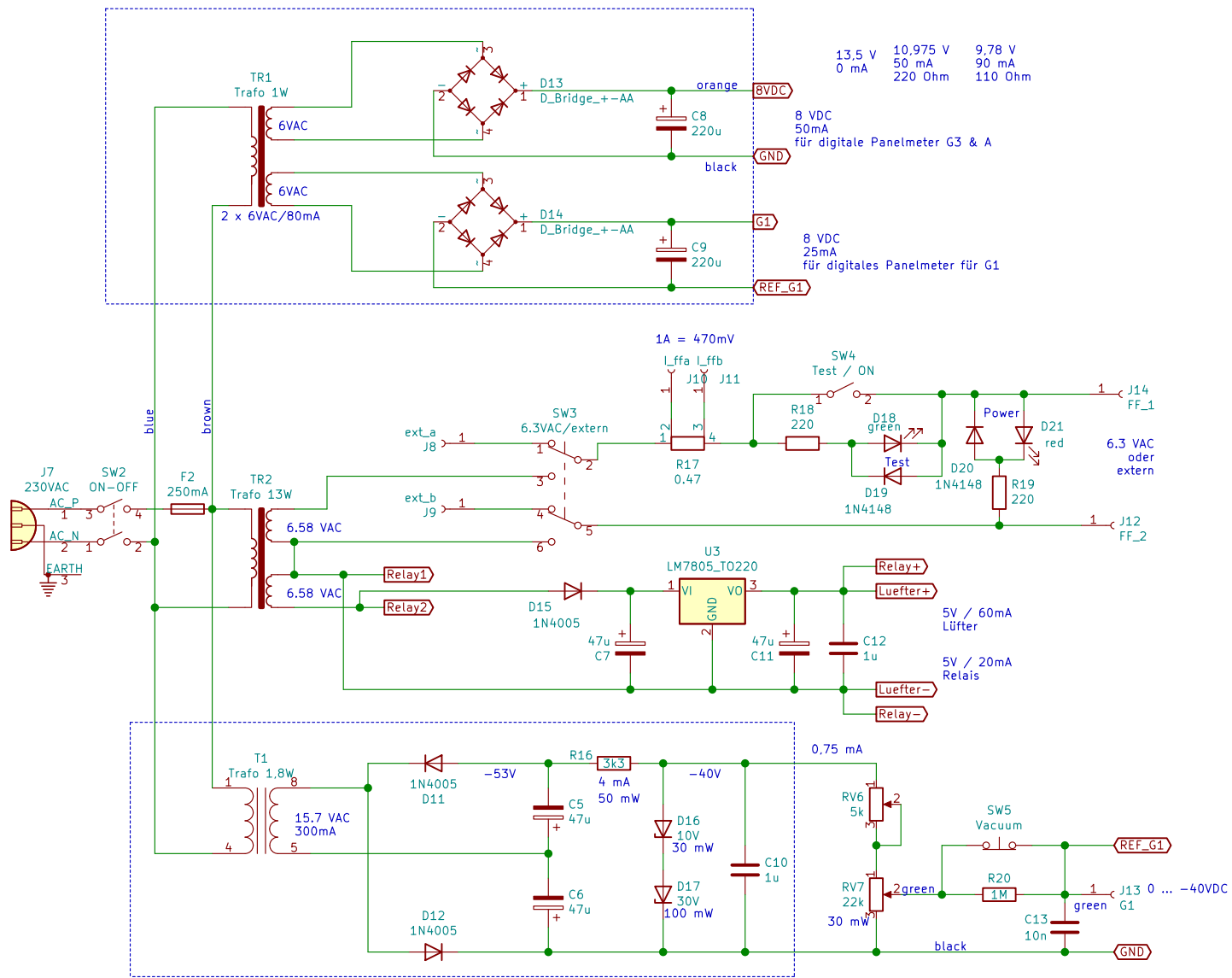


Sheet: /Anode/G3/
File: Anode.sch

Title:

Size: A4 Date:
KiCad E.D.A. kicad 5.1.8+dfsg1-1bpo10+1

Rev:
Id: 3/5



Sheet: /Heizung/G1/
File: FF.sch

Title:

Size: A4 Date:
KiCad E.D.A. kicad 5.1.8+dfsg1-1bpo10+1

Rev:
Id: 4/5

	1	2	3	4	5	6
A						A
B						B
C						C
D						D
	1	2	3	4	5	6



Sheet: /Socket/
File: socket.sch

Title:

Size: A4 Date: **Rev:**

KiCad E.D.A. kicad 5.1.8+dfsg1-1bpo10+1 Id: 5/5